

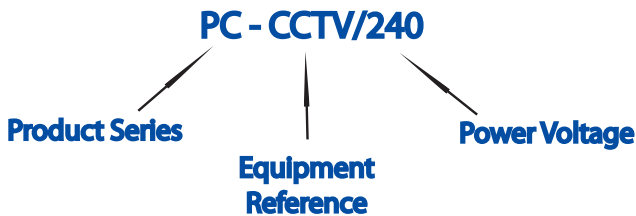


## LPS<sup>®</sup> PC-CCTV/240 SERIES

# INSTALLATION INSTRUCTIONS

The LPS<sup>®</sup> PC-CCTV/240 Series are Surge Protective Device (SPD) is a combine AC power and coaxial cable (video signal) protection. The AC power (Red, Black and Green leads) are to be installed parallel to the power system by qualified electrician. The Standard Clamping Voltage for the coaxial cable (video signal) is:

- $\pm 2.3V$  (Centre Conductor - Screen) @ 3mA.
- 82V (Screen - Ground)



## TECHNICAL SUPPORT

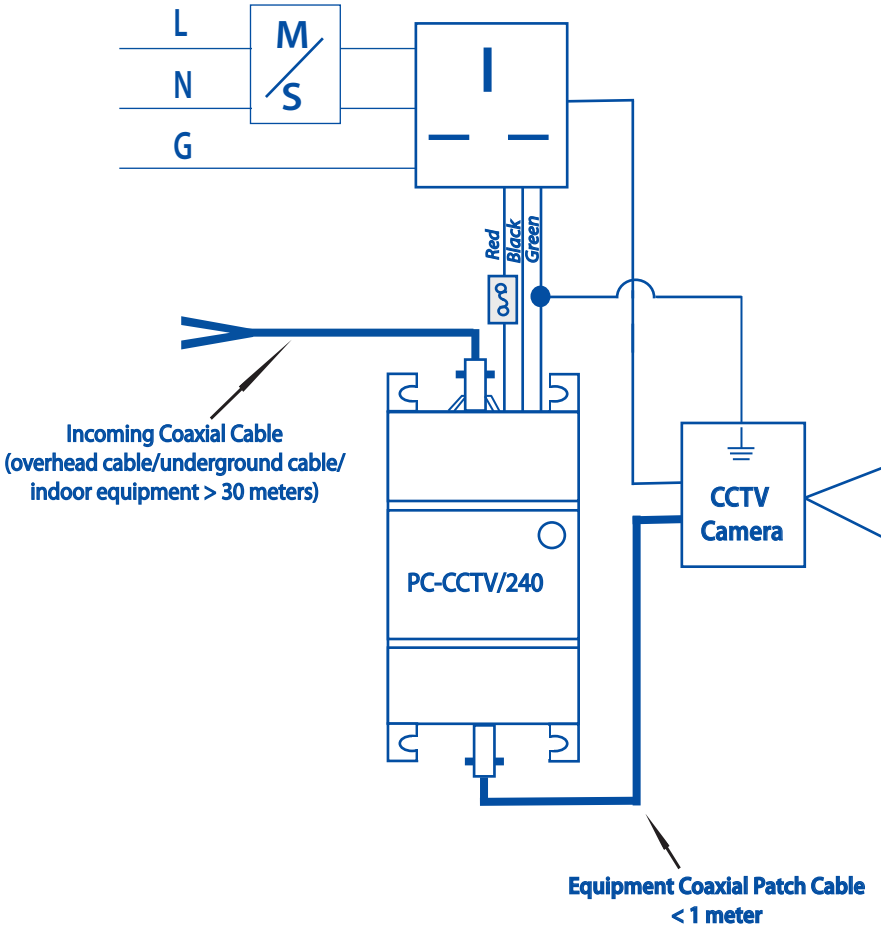
**T: +603-7980 5911 E: [info@lpsystem.com](mailto:info@lpsystem.com)**

## Safety Precautions & Installation Procedures

1. Do not install during thunderstorm.
2. Turn Off power supply to all equipment to be protected.
3. Verify that the equipment chassis is earthed.
4. Ensure that the LPS<sup>®</sup> SPD is less than 500mm away from the equipment to be protected. If it exceeds 500mm, bind all connecting leads / wires together with cable tie.

## Before Installation

1. Verify the AC supply voltage is within 200 ~ 275VAC from line to neutral.
2. Ensure that the power earth resistance is less than 10 ohms.
3. Ensure that the voltage between neutral and earth is less than 5 volts. Otherwise do not install. Check and rectify power system before proceeding.
4. Connect the SPD to the AC Power supply load side of the equipment through a 20A, 100kA HRC Fuse as illustrated in the diagram below:

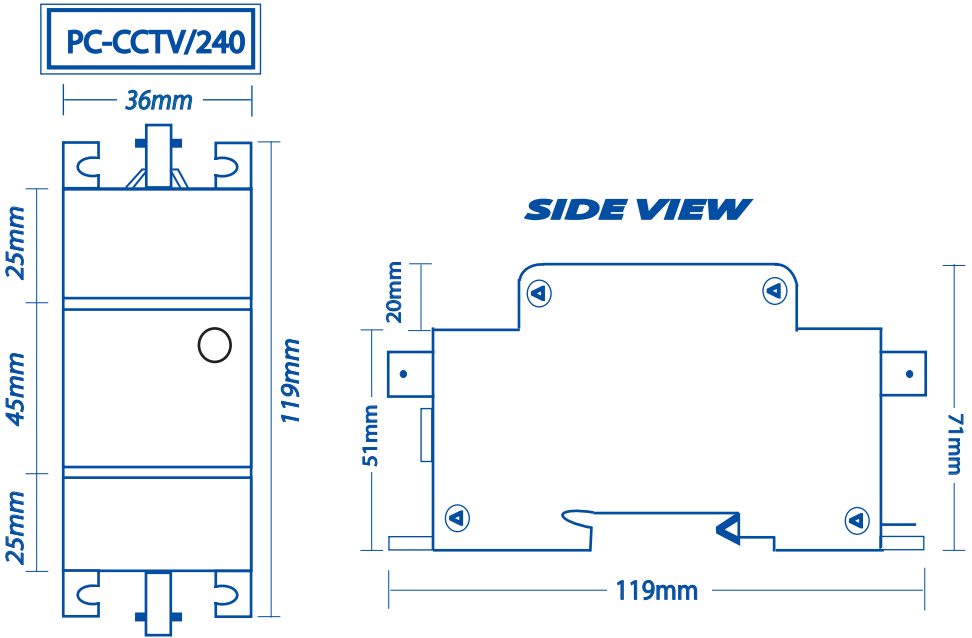


5. Connect the incoming coaxial cable (with BNC connector) to LINE of the SPD. Then add a coaxial patch cable with BNC connector between the equipment connector between the equipment and Equipment Connector of the SPD.

6. Activate the unit by turning on the power supply and the LED will illuminate. If the LED does not illuminate, recheck the phase, neutral and ground.

## Trouble - shooting

1. Check to see if your equipment is turned on.
2. Inspect all connections
3. Remove and by - pass SPD and verify proper operation. If the system comes back on line without the SPD installed, chances are the SPD has been damaged by excessive surge. Replace the SPD as soon as possible with a new SPD. It is not advisable to run the system without SPD.



### **Important Note:**

- All LPS<sup>®</sup> Products must be connected to Power Earth, directly or indirectly.
- All connecting leads must be as short & as straight as possible. The SPD must be less than 300mm away from the equipment to be protected.

